

# ROLLERBALL II

PROGRESSIVE PROCESSOR  
RB41S



**TAKARA  
BELMONT**

TODAY. TOMORROW. ALWAYS.

# ROLLERBALL II



Light pointer function



Infrared thermal sensor  
Pointer lamp

The light pointer function and an infrared thermal sensor enable precise control.

## Customize each mode to suit your own products and techniques.



The control panel is simple, yet powerful enough to meet the demands of a diverse range of procedures. Temperature and time can be customized in all modes, so you can always achieve your desired effects in accordance with the techniques and characteristics of the coloring or perming agents that you are using. This is just part of the magic of Rollerball II.



Heat is evenly and consistently distributed due to the unique circular motion and extraordinary accelerator of the Rollerball II.



Swing Mode opens up new possibilities by making it possible to target specific areas of the head.

## Specifications:

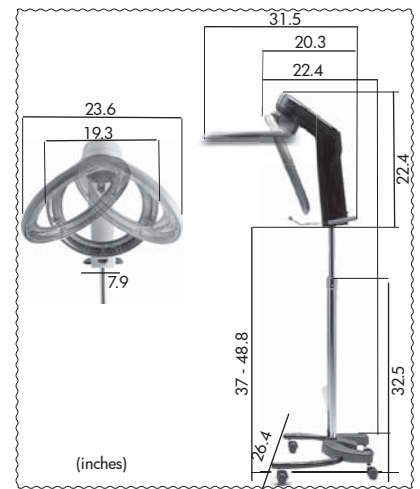
Rated voltage: 120v

Rated power consumption:  
870 W  $\pm$  10%

Weight (head unit only):  
18.7 lbs

Safety Devices: Tilt sensor,  
safety clutch function

Style: Stand Type



## TAKARA BELMONT USA, INC. SHOWROOMS AND DESIGN CENTERS:

- NEW ENGLAND  
(800) 283-3222
- DC & VA  
(301) 577-0212
- MO AREA  
(800) 325-7373 ext. 1337
- ROCKY MOUNTAINS  
Office Only  
(866) 693-6136
- NY & CT  
(212) 541-6661
- SOUTHEAST  
(888) 492-7292
- CHICAGO AREA  
(800) 825-2725
- SOUTH MIDWEST  
(800) 478-6368
- NJ & PA  
(877) 283-1289
- GEORGIA  
(888) 806-9556
- NORTH MIDWEST  
Office Only  
(800) 854-0358
- WEST COAST  
(949) 916-3404



TODAY. TOMORROW. ALWAYS.

[www.takarabelmont.com](http://www.takarabelmont.com)

101 Belmont Drive  
Somerset, NJ 08873  
(732) 469-5000

**Toll Free: (800) 526-3847**